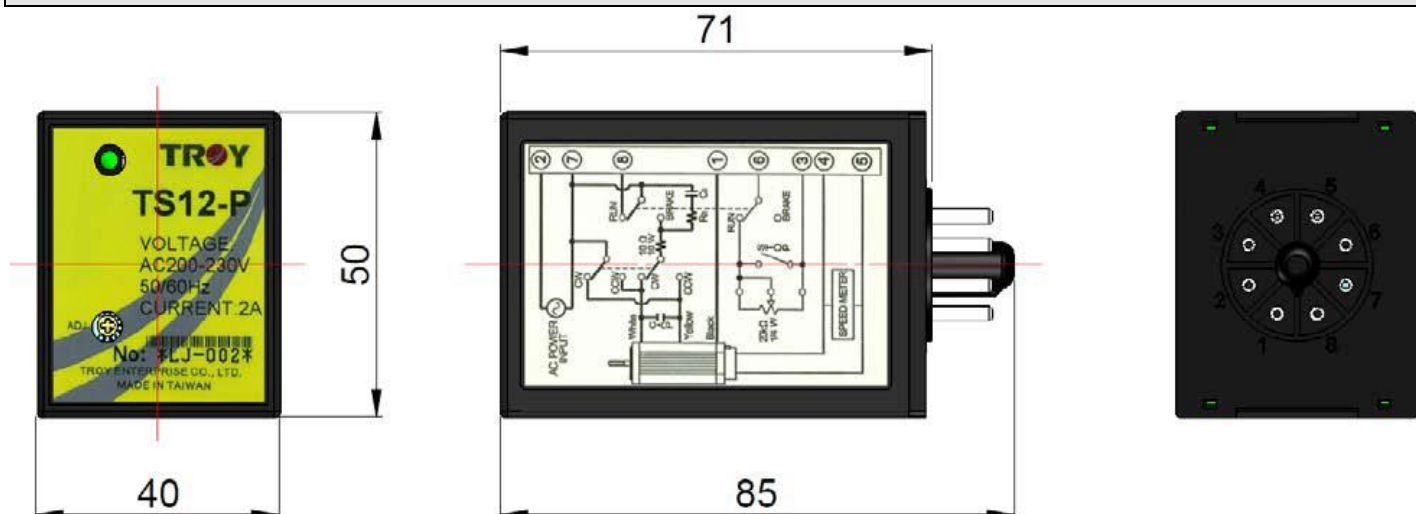


1.Specs

Type	Standard / Slow start · Slow stop type		Standard / Slow start · Slow stop type	
Model	TS11-P / TS11-P-SSSD		TS12-P / TS12-P-SSSD	
Power input (V)	Single phase AC100 ~ 115 -15 ~ + 10%		Single phase AC200 ~ 230 -15 ~ + 10%	
Power frequency (Hz)	50	60	50	60
Drive current (A)	2			
Drive motor power	Max. ≤ 60W			
Variable speed range (r/min)	90~1400	90~1700	90~1400	90~1700
Functions	Standard type : Speed control · Natural stop · Instantaneous brake stop Slow start, Slow stop type : Speed control · Natural stop · Instantaneous brake stop · Slow start · Slow stop Maximum speed limit: 1.ADJ could limit the maximum value of speed ; adjusting ADJ could solve the vibration problem while being with motor at highest speed. 2.ADJ CW rotating → raising the maximum speed; CCW rotating →reducing the maximum speed			
Ambient temperature	0~+40°C			
Ambient humidity	Maximum 85%RH			
Dimensions (mm)	50(L) x 40(W) x 85(H)			
Weight (g)	98			

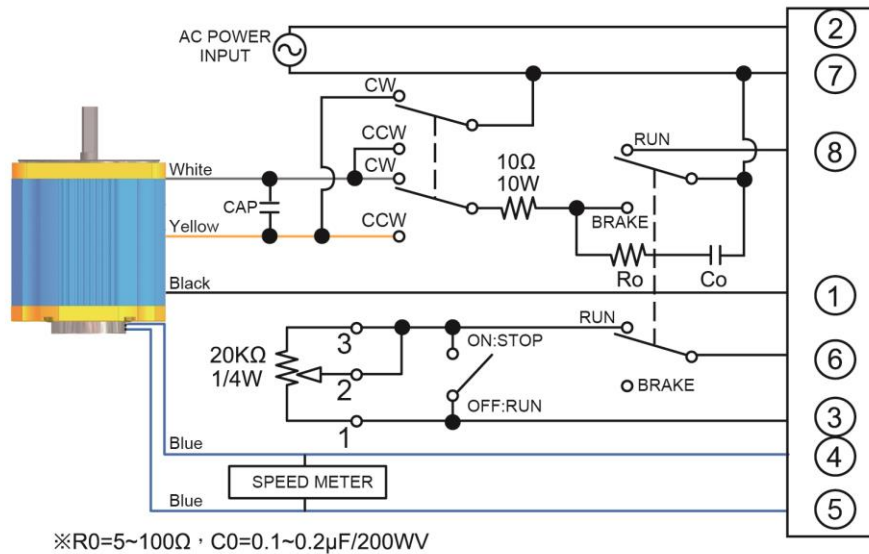
2.Dimensions Unit:mm



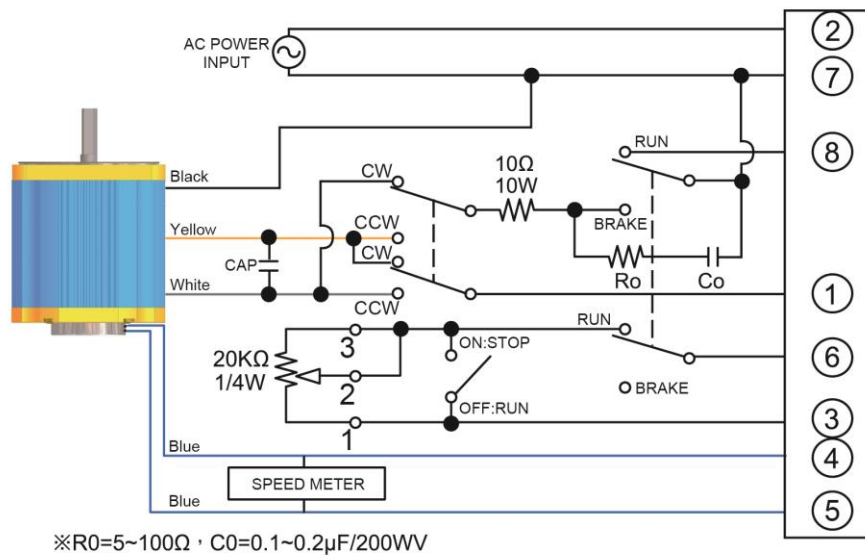
※Flush mounting Socket is sold separately

3.Wiring diagram

◆Applicable speed control motor component package type:Induction/Reversible motor not over 20W



◆Applicable speed control motor component package type:Induction/Reversible motor over 25W



**TROY** TROY ENTERPRISE CO., LTD

Professional manufacturer

Website : [www.troy.com.tw](http://www.troy.com.tw)

E-mail: [sales@troy.com.tw](mailto:sales@troy.com.tw)

TEL : +886-2-2299-9833



Copyright © 2018 TROY ENTERPRISE CO., LTD. All rights reserved.