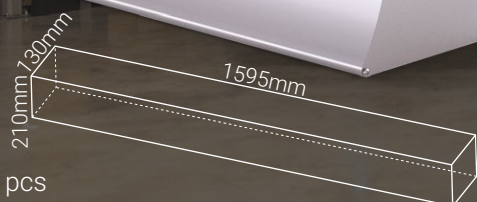




1 box = 1 pcs



- LED Trunking Luminaires **up to 200m length**
- Perfect solution **for large format stores or production facilities**
- Energy Efficiency **Class A+**
- Long Lifetime **50000h**
- Dimming function
- Designed and **Assembled in Poland**

LINARO

ELECTRICAL PARAMETERS

- rated voltage 230V
- voltage frequency 50÷60Hz
- rated power 45W / 65W
- power factor 0.98

OPTICAL PARAMETERS

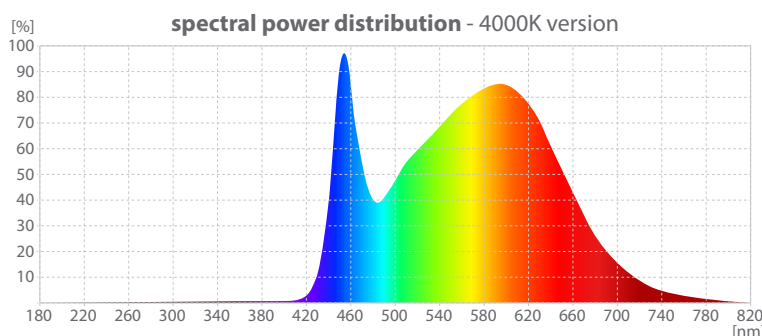
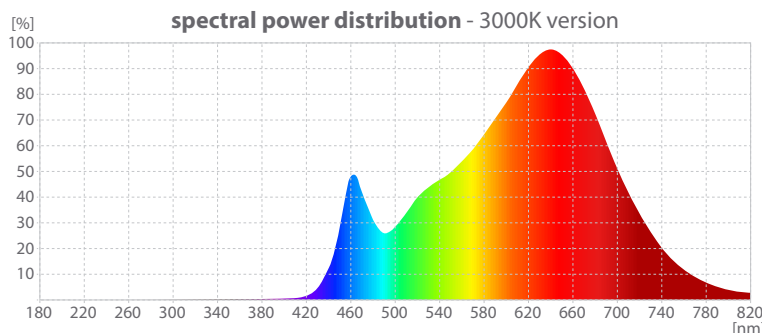
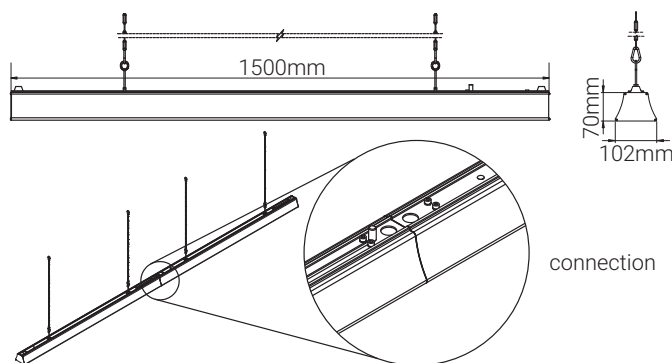
- chromacity 3000K / 4000K
- correlated colour temperature WARM WHITE / NEUTRAL WHITE
- colour rendering index Ra>80
- colour consistency <4 SDCM
- rated beam angle 90°/120°
- cover finish microprismatic PMMA / opal PMMA

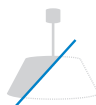
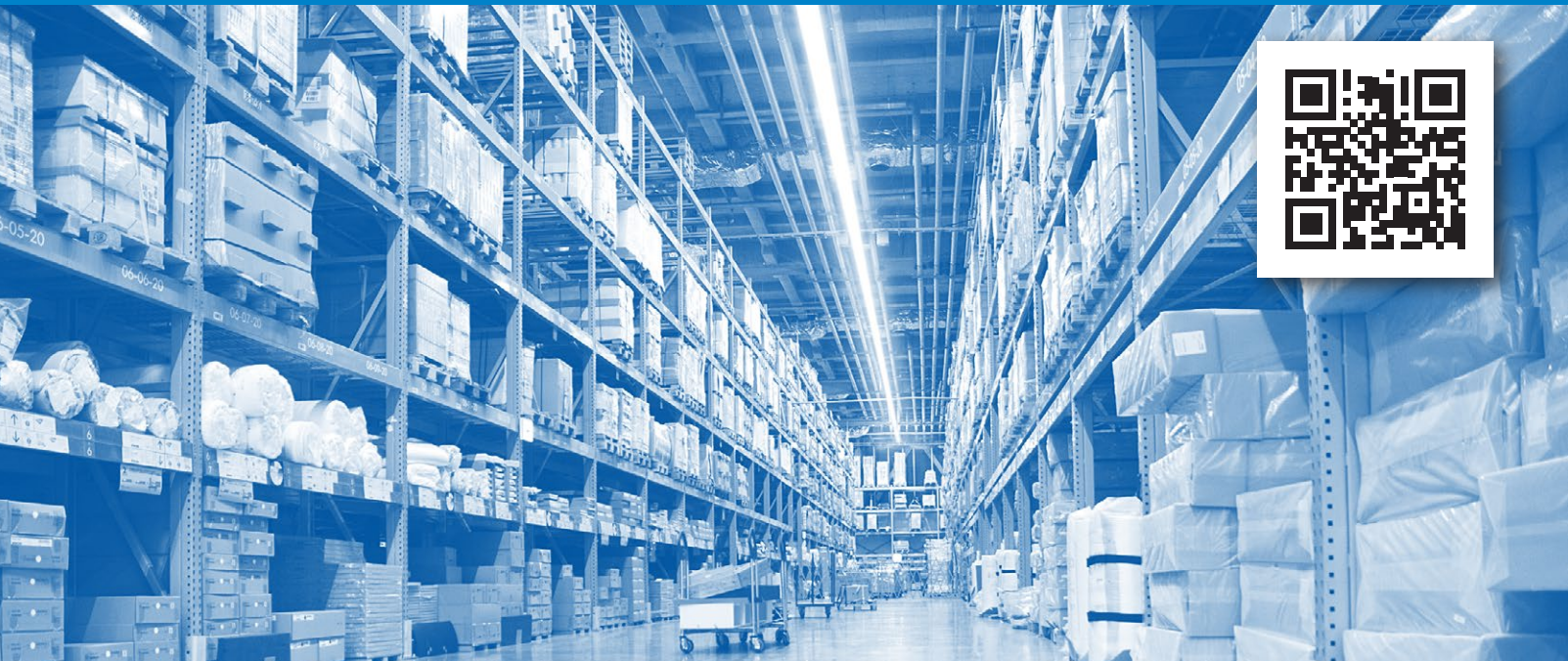
MECHANICAL PARAMETERS

- luminaire connector AC166 GEBU/5
- housing material ALUMINIUM / PMMA
- IP protection IP40
- length 1500mm
- width 102mm
- net weight 3.8kg

OPERATING PARAMETERS

- energy efficiency label A+
- rated lifetime 50000h
- lumen maintenance factor 80%
- switching cycle >50000X
- warm-up time up to 60% of the full light
- starting time INSTANT FULL-LIGHT
- operating temperature <0.2s
- t-case maximum -25°C do +45°C
- dimmable +45°C
- dimmable YES, sector blanking





LN45W4300OSD	5905669866248	opal PMMA	3000K	4300lm	45W
LN45W4300USD	5905669866255	microprismatic PMMA	3000K	4300lm	45W
LN45N4400OSD	5905669866262	opal PMMA	4000K	4400lm	45W
LN45N4400USD	5905669866279	microprismatic PMMA	4000K	4400lm	45W
LN65W5300OSD	5905669866286	opal PMMA	3000K	5300lm	65W
LN65W5300USD	5905669866293	microprismatic PMMA	3000K	5300lm	65W
LN65N5400OSD	5905669866309	opal PMMA	4000K	5400lm	65W
LN65N5400USD	5905669866316	microprismatic PMMA	4000K	5400lm	65W

Specifications are subject to change without notice. Errors and omissions are possible. Typical given the technical parameters are statistical values, which may differ from the actual technical parameters of individual products. Not suitable for accent lighting.